

DS-2CE12D8T-PIRL 2 MP Ultra-Low Light PIR Bullet Camera



Key Features

- 2 MP high performance CMOS
- Ultra-low light
- 1920 × 1080 resolution
- 2.8 mm, 3.6 mm fixed focal lens
- PIR detection, visual alarm
- 120 dB true WDR, 3D DNR
- EXIR 2.0, smart IR, up to 20 m IR distance
- IP67
- Up the coax (HIKVISION-C)



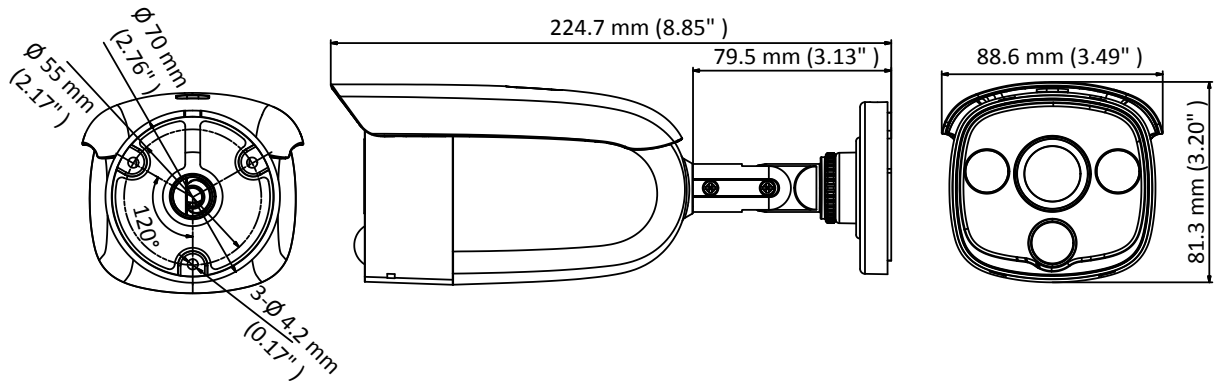
Specification

Camera	
Image Sensor	2.0 megapixel progressive scan CMOS
Signal System	PAL/NTSC
Frame Rate	PAL: 1080p@25fps NTSC: 1080p@30fps
Resolution	1920 (H) × 1080 (V)
Min. illumination	Color: 0.005 Lux @ (F1.2, AGC ON), 0 Lux with IR
Shutter Time	PAL: 1/25 s to 1/50, 000 s NTSC: 1/30 s to 1/50, 000 s
Slow Shutter	Max. 16 times
Lens	2.8 mm, 3.6 mm fixed focal lens
Horizontal Field of View	103.5° (2.8 mm), 82.6° (3.6 mm)
Lens Mount	M12
Visual Alarm	Yes
Day & Night	IR cut filter
Angle Adjustment	Pan: 0° to 360°, Tilt: 0° to 180°, Rotate: 0° to 360°
Synchronization	Internal synchronization
WDR (Wide Dynamic Range)	> 120 dB
Menu	
White Light	Alarm/Lighting/Off
AGC	Yes
Day/Night Mode	Auto/Color/BW (Black and White)
White Balance	ATW/MANUAL
Privacy Mask	ON/OFF, 4 programmable privacy masks
Motion Detection	4 programmable motion areas
Backlight Compensation	WDR/BLC/HLC/OFF
3D DNR (Digital Noise Reduction)	Level 1 to 10
Language	English, Chinese
Functions	Brightness, Sharpness, Mirror, Smart IR
Interface	
Video Output	1 HD analog output
General	
Operating Conditions	-40 °C to 60 °C (-40 °F to 140 °F), humidity: 90% or less (non-condensation)
Power Supply	12 VDC ±25%
Power Consumption	Max. 4.5 W
Ingress Protection	IP67
Material	Front cover: Metal Main body: Plastic Bracket: Metal
IR Range	Up to 20 m
PIR Range	Angle: 110°, Range: 11 m
Communication	Up the coax, Protocol: HIKVISION-C (TVI output)
Dimensions	88.6 mm × 81.3 mm × 224.7 mm (3.49" × 3.20" × 8.85")
Weight	Approx. 430 g (0.95 lb.)

Order Models

DS-2CE12D8T-PIRL

Dimension



Accessory



DS-1280ZI-XS
Junction Box



DS-1H18
Video Balun