

## DS-2CE71D8T-PIRL 2 MP Ultra-Low Light PIR Turret Camera



### Key Features

- 2 MP high performance CMOS
- Ultra-low light
- 1920 × 1080 resolution
- 2.8 mm, 3.6 mm fixed focal lens
- PIR detection, visual alarm
- 120 dB true WDR, 3D DNR
- EXIR 2.0, smart IR, up to 20 m IR distance
- IP67
- Up the coax (HIKVISION-C)



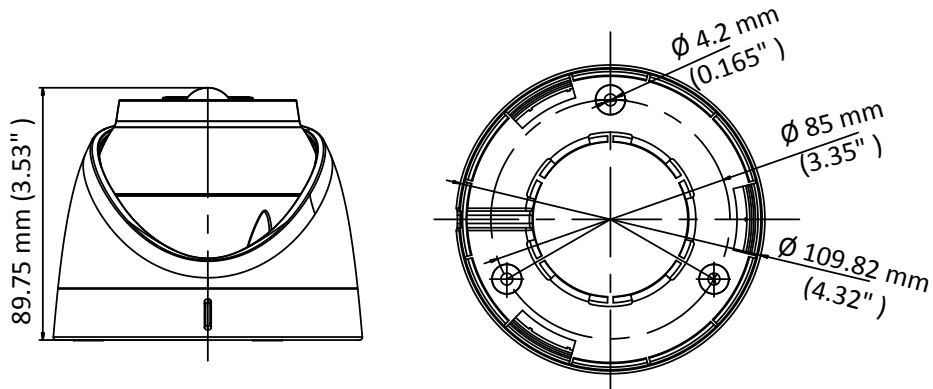
## Specification

| <b>Camera</b>                    |  |
|----------------------------------|--|
| Image Sensor                     | 2.0 megapixel progressive scan CMOS  |
| Signal System                    | PAL/NTSC   |
| Frame Rate                       | PAL: 1080p@25fps<br>NTSC: 1080p@30fps  |
| Resolution                       | 1920 (H) × 1080 (V)  |
| Min. illumination                | Color: 0.005 Lux @ (F1.2, AGC ON), 0 Lux with IR                             |
| Shutter Time                     | PAL: 1/25 s to 1/50, 000 s<br>NTSC: 1/30 s to 1/50, 000 s                    |
| Slow Shutter                     | Max. 16 times  |
| Lens                             | 2.8 mm, 3.6 mm fixed focal lens  |
| Horizontal Field of View         | 103.5° (2.8 mm), 82.6° (3.6 mm)  |
| Lens Mount                       | M12  |
| Visual Alarm                     | Yes  |
| Day & Night                      | IR cut filter  |
| Angle Adjustment                 | Pan: 0° to 360°, Tilt: 0° to 75°, Rotate: 0° to 360°                         |
| Synchronization                  | Internal synchronization   |
| WDR (Wide Dynamic Range)         | > 120 dB   |
| <b>Menu</b>                      |  |
| White Light                      | Alarm/Off  |
| AGC                              | Yes  |
| Day/Night Mode                   | Auto/Color/BW (Black and White)  |
| White Balance                    | ATW/MANUAL   |
| Privacy Mask                     | ON/OFF, 4 programmable privacy masks   |
| Motion Detection                 | 4 programmable motion areas  |
| Backlight Compensation           | WDR/BLC/HLC/OFF  |
| 3D DNR (Digital Noise Reduction) | Level 1 to 10  |
| Language                         | English, Chinese   |
| Functions                        | Brightness, Sharpness, Mirror, Smart IR                                      |
| <b>Interface</b>                 |  |
| Video Output                     | 1 HD analog output   |
| <b>General</b>                   |  |
| Operating Conditions             | -40 °C to 60 °C (-40 °F to 140 °F), humidity: 90% or less (non-condensation) |
| Power Supply                     | 12 VDC ±25%  |
| Power Consumption                | Max. 4.5 W   |
| Ingress Protection               | IP67   |
| Material                         | Enclosure: Plastic<br>Main body: Metal<br>Mounting base: Plastic             |
| IR Range                         | Up to 20 m   |
| PIR Range                        | Angle: 110°, Range: 11 m   |
| Communication                    | Up the coax, Protocol: HIKVISION-C (TVI output)                              |
| Dimensions                       | ∅ 109.8 mm × 89.75 mm (∅ 4.32" × 3.53" )                                     |
| Weight                           | Approx. 310 g (0.68 lb.)   |

## Order Models

DS-2CE71D8T-PIRL

## Dimension



## Accessory



DS-1272ZJ-110-TRS  
Wall Mounting Bracket



DS-1275ZJ  
Vertical Pole Mounting Bracket



DS-1276ZJ  
Corner Mounting Bracket



DS-1280ZJ-M  
Junction Box



DS-1281ZJ-S  
Inclined Ceiling Mounting Bracket



DS-1H18  
Video Balun



**CENTRAL SECURITY DISTRIBUTION**

**1300 319 499**  
**csd.com.au**

**VIC: Mulgrave, Tullamarine    NSW: Seven Hills, Waterloo    ACT: Fyshwick    QLD: Loganholme    SA: Marleston    WA: Balcatta**